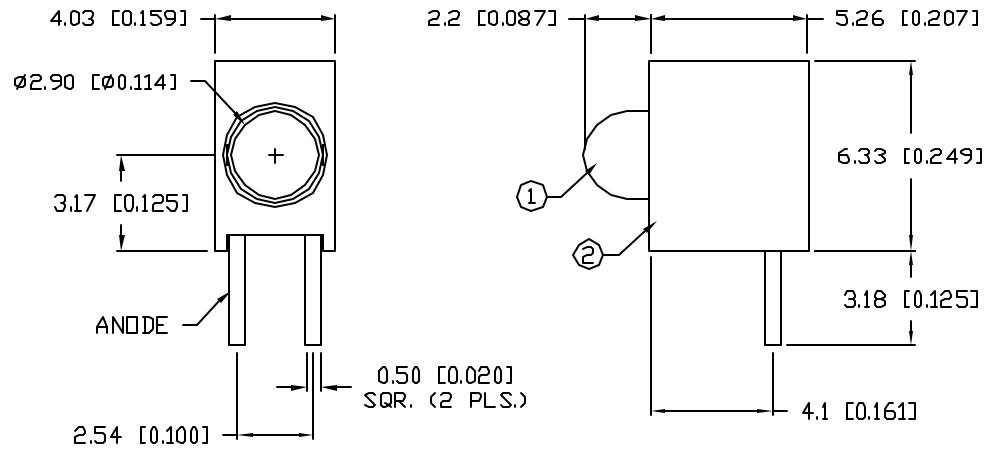


UNCONTROLLED DOCUMENT

PART NUMBER  
SSF-LXH303LGD

REV.  
E

REV.	E.C.N. NUMBER AND REVISION COMMENTS	DATE
A	REDRAWN.	12.6.93
B	REMOVED MAX FROM DIMS.	12.16.93
C	UPDATED SAFE OPER. SPECS.	10.12.94
D	E.C.N. #10BRDR. & REDRAWN.	9.2.98
E	E.C.N. #10675.	10.30.00



NOTES:

1. SSL-LX3044LGD, LOW CURRENT GREEN LED.
2. SSH-LXH303, BLACK NYLON HOLDER, UL 94V-0.
3. PARTS NEED TO BE PACKED IN ANTI-STATIC TUBES.

ELECTRO-OPTICAL CHARACTERISTICS TA=25°C If=20mA

PARAMETER	MIN	TYP	MAX	UNITS	TEST COND
PEAK WAVELENGTH		565		nm	
FORWARD VOLTAGE		2.2	2.6	V <sub>f</sub>	
REVERSE VOLTAGE	5.0			V <sub>r</sub>	I <sub>f</sub> =100μA
AXIAL INTENSITY	1.0	30		mcd	I <sub>f</sub> =20mA
				mcd	I <sub>f</sub> =2mA
VIEWING ANGLE		60		2x theta	
EMITTED COLOR:	GREEN				
EPOXY LENS FINISH:	GREEN DIFFUSED				

LIMITS OF SAFE OPERATION AT 25°C

PARAMETER	MAX	UNITS
PEAK FORWARD CURRENT*	150	mA
STEADY CURRENT	25	mA
POWER DISSIPATION	105	mW
DERATE FROM 25°C	-1.6	mW/°C
OPERATING, STORAGE TEMP.	-40 TO +85	°C
SOLDERING TEMP.	+260	°C
2.0mm FROM BODY		3 SEC. MAX

\* t<10μs

\*UNLESS OTHERWISE SPECIFIED TOLERANCES PER DECIMAL PRECISION ARE: X=±1 (±0.039), XX=±0.5 (±0.020), XXX=±0.25 (±0.010), XXXX=±0.127 (±0.005). LEAD SIZE=±0.05 (±0.002), LEAD LENGTH=±0.75 (±0.030). MIN= +DECIMAL PRECISION -0.00 MAX.= +0.00 -DECIMAL PRECISION

UNCONTROLLED DOCUMENT

REV. E	PART NUMBER SSF-LXH303LGD
T-3mm (T-1) LED FAULT INDICATOR, 565nm GREEN LED, GREEN DIFFUSED LENS, LOW CURRENT.	

**CONFIDENTIAL INFORMATION**  
THE INFORMATION CONTAINED IN THIS DOCUMENT IS THE PROPERTY OF LUMEX INC. EXCEPT AS SPECIFICALLY AUTHORIZED IN WRITING BY LUMEX INC., THE HOLDER OF THIS DOCUMENT SHALL KEEP ALL INFORMATION CONTAINED HEREIN CONFIDENTIAL AND SHALL PROTECT SAME IN WHOLE OR IN PART FROM DISCLOSURE AND DISSEMINATION TO ALL THIRD PARTIES.

**RELIABILITY NOTE**  
OUR MANY YEARS OF EXPERIENCE DATA ACCUMULATION INDICATE THAT SOLDER HEAT IS A MAJOR CAUSE OF EARLY AND FUTURE FAILURE. PLEASE PAY ATTENTION TO YOUR SOLDERING PROCESS.

**LUMEX INCORPORATED**

290 E. HELLEN ROAD  
PALATINE, ILLINOIS 60067  
PHONE: (847) 359-2790  
WEB: <http://www.lumex.com>

DRAWN BY: BC	CHECKED BY:	APPROVED BY:	DATE: 1.31.91
			PAGE: 1 OF 1
			SCALE: N/A